

Mecmesin

testing to perfection

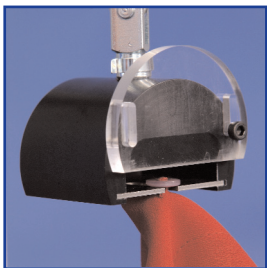
ValuTest-L

MANUAL TEST STAND

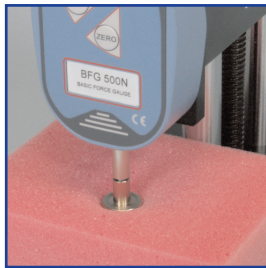
- 110lbf (500N) capacity
- easy-to-use
- quick-acting lever
- economical solution
- compact and portable
- rugged and reliable



Shown with CFG digital force gage
(Can also be supplied with BFG digital force gage)



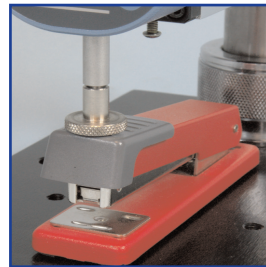
Tensile testing



Compressive testing



Aerosol actuation



Tool testing

versatile
economical
easy-to-use

The ValuTest-L, combined with a Mecmesin Basic Force Gage (BFG) or Compact Force Gage (CFG), is a simple and low cost solution for repetitive tensile and compressive testing in the production area or in laboratories. It is ideal for simple pull-off tests, push-in and push-out tests where quick comparative checks are required.

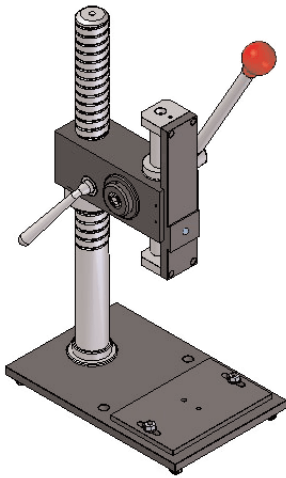
It is an accurate, precise and dependable instrument for use when simplicity, economy and fast throughput are important.

The ValuTest-L is very easy-to-use by virtue of its quick-acting lever. Crosshead movement can be limited by an adjustable stop to ensure it travels to the same position for each test.

Mecmesin

testing to perfection

Stand / Force Gage Combinations



ValuTest-L

+



Basic Force Gage (BFG)

+



BFG Bracket

or

+



Compact Force Gage (CFG)

+

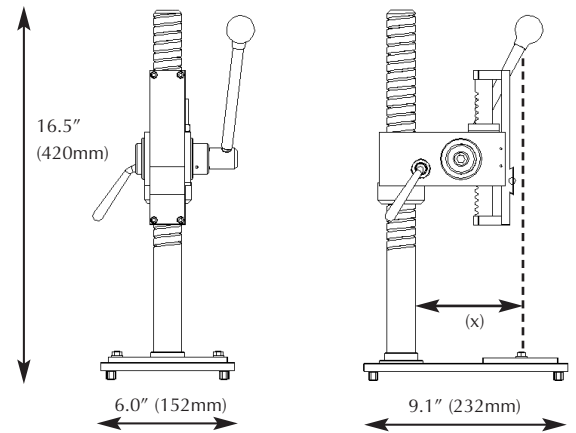


CFG Bracket

Specifications

Daylight with BFG without accessories	13.1" (332mm)
Daylight with CFG without accessories	13.9" (352mm)
Effective travel without gage and accessories	6.7" (170mm)
Maximum stroke	1.9" (47mm)
Maximum load	110lbf, 500N, 50kgf
Weight	20lbs (9.2kg)
Throat depth with BFG fitted (x)	5.3" (133.5mm)
Throat depth with CFG fitted (x)	5.0" (126mm)

Dimensions



Mecmesin

Force and Torque Test Solutions

M

Dillon/Quality Plus, Inc.
 Distributor/Sales/Service/Calibration
 Email: sales@dqplus.com
 Web: <http://www.testingmachine.com/>
 Dillon/Quality Plus, Inc.
 3501 N.E. Kimball Dr.
 Kansas City, MO. 64161
 Phone: 800-493-2263
 Phone: 816-453-7600
 FAX: 816-453-7677