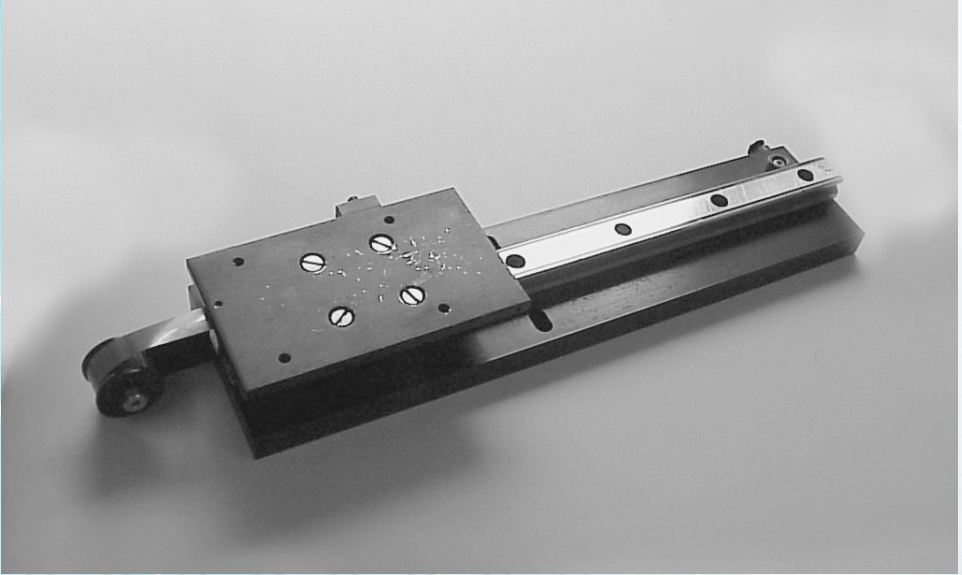


Assisted Pull-peel Table

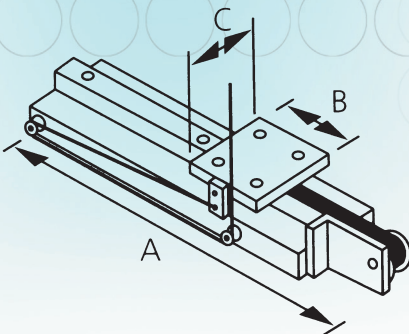


Application

The carriage of the peel table is directly driven by the movement of the test stand crossheads, so maintaining an accurate 90° peel. Designed for use with Versatest

A	B	C
300mm (11.8")	125mm (4.92")	75mm (2.95")

PART NO
ACC008 - 208



Mecmesin
Force and Torque Test Solutions