

Cable Cam Grip - Small



Cable Cam Grip shown with Wedge Grip testing crimp terminals

Description

Cable Cam Grips are designed for holding insulated cables and wire up to 6mm (0.24") in diameter, and are usually fixed to the base of a Mecmesin test stand. The sample is secured by the cam, which self-tightens as load is applied and spreads the load evenly, minimising slippage during testing. Cable Cam Grips are available with either smooth or serrated cams. Commonly used with a 'Wedge Grip' or 'Rotating Crimp Receptacle' to test crimp terminals in accordance with BS 5G 178-1 and other international standards. Supplied with socket-cap screw 10-32UNF x 5/8" long for fixing to Mecmesin test stands.

Applications

Used for general purpose tensile testing of:

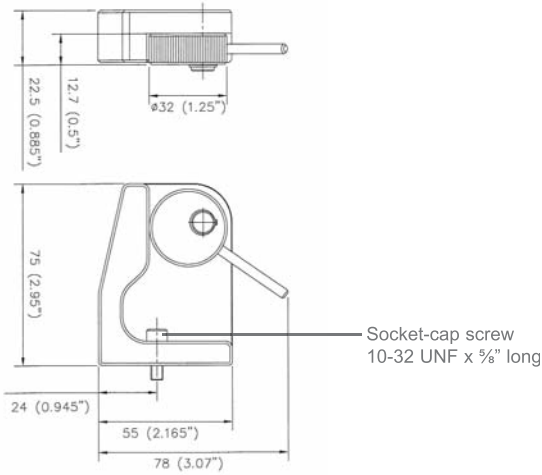
- crimped terminals
- foils
- tapes
- wires

Specifications

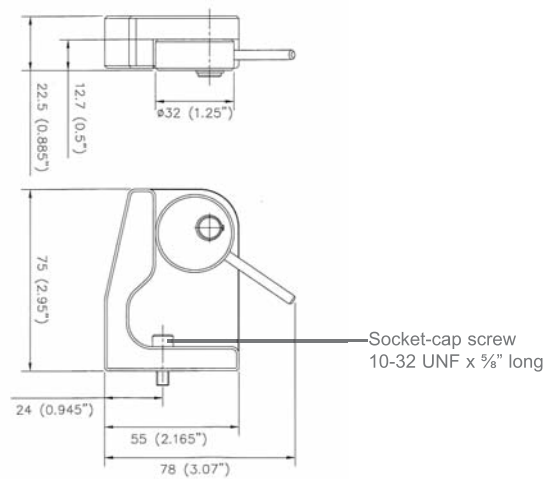
Maximum Capacity	Maximum Specimen Dimensions		Weight	Length
	Width	Thickness		
1000N (100kgf, 225 lbf)	12.7mm (0.5")	6mm (0.24")	230g (0.51lbs)	75mm (2.95")

ACCESSORY PART Nos: 432-390 Serrated
432-404 Smooth

Dimensions mm (inch)



432-390 Serrated



432-404 Smooth

Adaptors

To fit to:	Adaptor Type and (Part Number)**
Loadcells	
XLC-T / ILC-T 25kN	Not suitable
XLC-T / ILC-T 10kN, XLC-S / ILC-S 2500N, 5000N	432-329 + 432-331
XLC-S / ILC-S 1000N	432-329 + 432-333
XLC-S / ILC-S 100N, 200N, 500N	432-417
Force Gauge with 5/16 UNC Thread	432-329
ILC / Force Gauge 10/32 UNF Thread	432-328
Test Stands	
MultiTest 10kN / 25kN	None required - fits to anvil plate
MultiTest 5kN	None required - fits to anvil plate
MultiTest 2.5kN	None required - fits to anvil plate
MultiTest 1kN	None required - fits to anvil plate

** For further information please see Adaptor Datasheet 431-354-1-1



Dillon/Quality Plus, Inc.
 Distributor/Sales/Service/Calibration
 Email:sales@dqplus.com
 Web: <http://www.dqplus.com/>
 3501 N.E. Kimball Dr. Kansas City, MO. 64161
 Phone: 800-493-2263 or 816-453-7600
 FAX: 816-453-7677