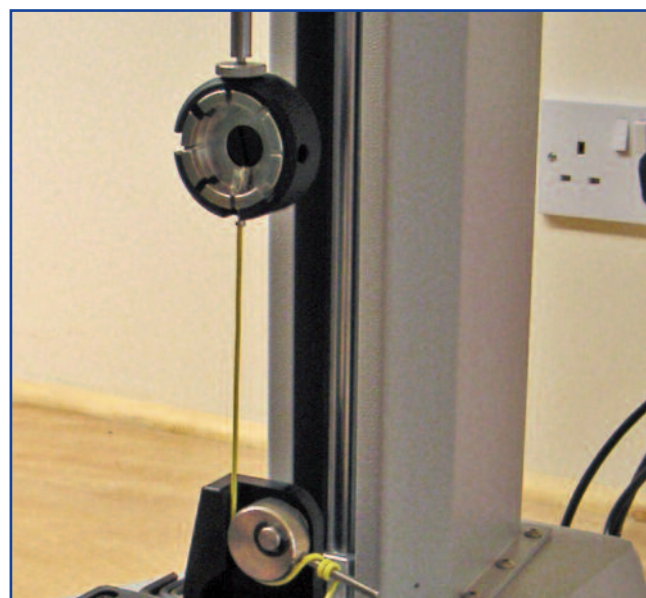


## Rotational Crimp Receptacle



Shown with 5/16 UNC grub screw connected



Shown with Cable Cam Grip testing crimp terminals

### Description

This versatile crimp termination holder accommodates a wide range of terminals. The inner slotted ring rotates to adjust to fit 8 different sized crimp terminals using cable width between 1.5mm (0.06") and 5mm (0.2") - ideal for carrying out crimp terminal tests to BSI standard BS 5G 178-1 and equivalent international standards. Supplied with 10-32 UNF and 5/16 UNC grub screws for fitting to Mecmesin force gauges and test stands.

### Applications

Used for general purpose tensile testing of:

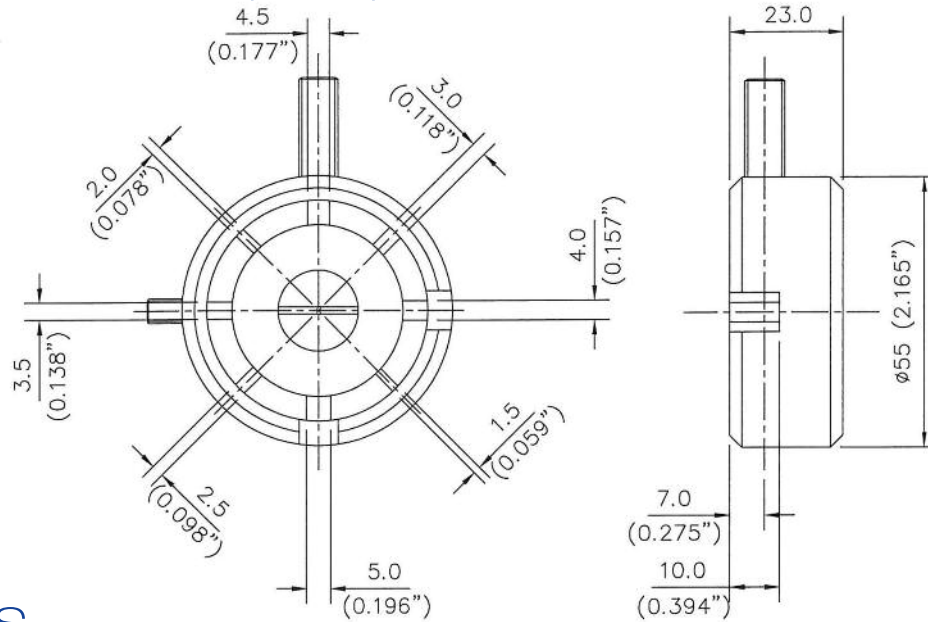
- crimp terminals
- welded or bonded connectors

### Specifications

Maximum Capacity	Maximum Specimen Dimensions	Weight	Height
	Cable Width		
1000N (100kgf, 225lbf)	1.5mm - 5mm (0.059" - 0.196")	200g (0.44lbs)	55mm (2.16")

ACCESSORY PART NO. 432-379

## Dimensions mm (inch)



## Adaptors

To fit to:	Adaptor Type and (Part Number)**
<b>Loadcells</b>	
XLC-T / ILC-T 25kN	Not suitable
XLC-T / ILC-T 10kN, XLC-S / ILC-S 2500N, 5000N	Not suitable
XLC-S / ILC-S 1000N	432-333
XLC-S / ILC-S 100N, 200N, 500N	432-417
Force Gauge with 5-16 UNC Thread	None required - fits directly
ILC / Force Gauge 10-32 UNF Thread	None required - fits directly
<b>Test Stands</b>	
MultiTest 10kN / 25kN	None required - fits to anvil plate
MultiTest 5kN	None required - fits to anvil plate
MultiTest 2.5kN	None required - fits to anvil plate
MultiTest 1kN	None required - fits to anvil plate

\*\* For further information please see Adaptor Datasheet 431-354-1-1



Dillon/Quality Plus, Inc.  
 Distributor/Sales/Service/Calibration  
 Email:sales@dqplus.com  
 Web: <http://www.dqplus.com/>  
 3501 N.E. Kimball Dr. Kansas City, MO. 64161  
 Phone: 800-493-2263 or 816-453-7600  
 FAX: 816-453-7677