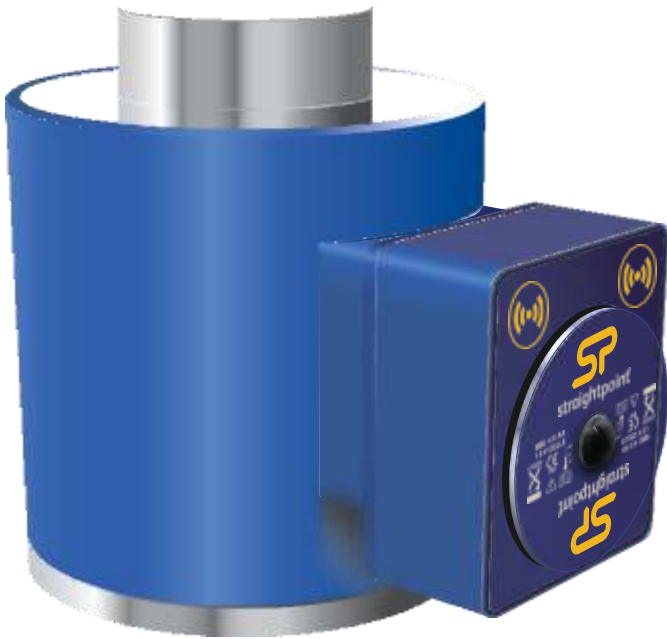


Wireless Compression Load Cell



Features and benefits:

- Proprietary 2.4 GHz wireless
- Industry leading wireless range of 700m/2300ft
- Connects to SW-MWLC, WCOGS & SW-PTP software
- Error free data transmission
- Internal antennae
- Environmentally sealed to IP67/NEMA 6
- No cable assemblies required
- Unrivalled resolution
- Unmatched battery life of 1200hrs
- Reduced maintenance cost
- Compact size
- Remote on-off
- Design validated by F.E.A.

The Straightpoint Wireless Compression Load Cell is taking the heavy lift and structural weighing industry by storm. By adding the Straightpoint wireless system to the already popular compression load cell line we have developed a cost-effective alternative to standard compression load cells.

No longer hindered by troublesome and hard to maintain cables, large scale projects can be completed in a fraction of time previously required. Maintenance costs are all but eliminated due to the absence of cables and connectors, and the products flexibility opens the door to a large number of applications in the heavy lift, energy, defence, rigging, shipping, and general transportation sectors, previously not considered.

Straightpoint's Wireless Compression Load Cells are machined from high grade stainless steel, providing excellent strength and corrosion resistance. The heavy duty, compact load cell utilises Straightpoint's advanced microprocessor based electronics and benefits from unrivalled resolution and accuracy. Data transmission is handled by the Straightpoint wireless systems proprietary transport protocol, is unmatched in performance and capable of a licence free transmission range of up to 700 metres or 2300 feet.

It is not until you add the powerful array of wireless accessories that the full potential of this product is realised. These accessories which include a wireless signal booster and several user friendly Windows-based software packages, provide a level of flexibility not previously known in the load monitoring industry.

When used with Straightpoint's WCOGS software these load cells will calculate centre of gravity and load. Connected to SW-MWLC it will allow the ability to data log and print reports, allowing the simultaneous display and monitoring of up to 100 wireless compression load cells on your PC or tablet. Lastly, coupled with Straightpoint's SW-PTP software the operator can perform load tests at a safe distance and generate real time test certificates on site.



making the lifting industry a safer place

Also available with hazardous area approval



ATEX / IECEX

Ex ia IICT4 Ga

Certification numbers:

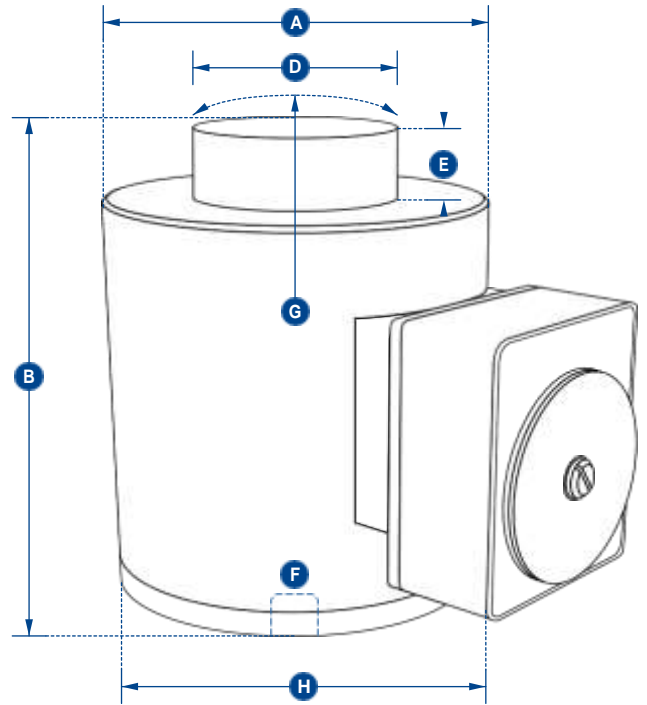
WNI ATEX

IECEX SIR 16.0041X / Sira 16ATEX2108X

SW-HHP ATEX

IECEX SIR 15.0072X / Sira 15ATEX2196X

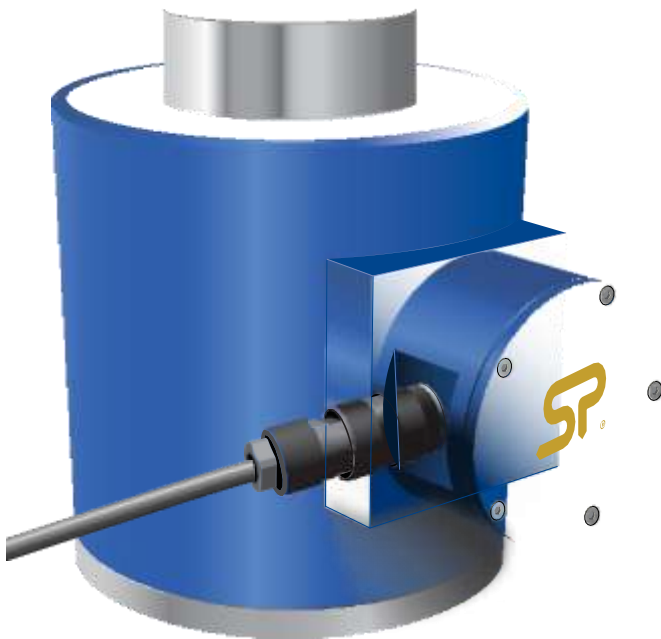
Add 'ATEX' to the part number when ordering ATEX/IECEX products. For example: WNI5TC-ATEX



Part Number	WNI5TC	WNI10TC	WNI25TC	WNI50TC	WNI100TC	WNI150TC	WNI300TC	WNI500TC
Capacity	5te	10te	25te	50te	100te	150te	300te	500te
	11000lb	22000lb	55000lb	110000lb	220000lb	330000	660000lb	1100000lb
Resolution	0.001te	0.002te	0.005te	0.01te	0.05te	0.05te	0.1te	0.2te
	2lb	5lb	10lb	20lb	100lb	100lb	200lb	500lb
Units	tonne							
	lb							
Weight	6.2kg	6.2kg	6.2kg	6.2kg	15.5kg	15.5kg	65kg	65kg
	13.64lb	13.64lb	13.64lb	13.64lb	34lb	34lb	143lb	143lb
Safety Factor	3:1							
Battery Type	Load cell 4 x AA Ex Loadcell 4 x Energizer® Ultimate Lithium AA Batteries							
Battery Life	Load cell 1,200 hours continuous							
Operating Temp	-10°C to +50°C / 14°F to 122°F							
Accuracy	±0.3% of applied load							
Frequency	2.4 GHz							
System Range	700 metres / 2300 feet							
Data Rate	3Hz (configurable to 200Hz)							
Protection	IP67 / NEMA 6							
Dimension ØA	102	102	102	102	152	152	185	185
	4.02"	4.02"	4.02"	4.02"	5.98"	5.98"	7.28"	7.28"
Dimension B	127	127	127	127	184	184	300	300
	5.00"	5.00"	5.00"	5.00"	7.24"	7.24"	11.81"	11.81"
Dimension ØD	59	59	59	59	80	80	155	155
	2.32"	2.32"	2.32"	2.32"	3.15"	3.15"	6.10"	6.10"
Dimension E	13	13	13	13	26	26	27.5	27.5
	0.51"	0.51"	0.51"	0.51"	1.02"	1.02"	1.08"	1.08"
Dimension F	M18 x 2.5	M18 x 2.5	M18 x 2.5	M20 x 2.5	M20 x 2.5	M20 x 2.5	M20 x 2.5	M20 x 2.5
	M18 x 2.5	M18 x 2.5	M18 x 2.5	M20 x 2.5	M20 x 2.5	M20 x 2.5	M20 x 2.5	M20 x 2.5
Dimension G	152	152	152	152	432	432	432	432
	5.98"	5.98"	5.98"	5.98"	17.01"	17.01"	17.01"	17.01"
Dimension H	158	158	158	158	208	208	241	241
	6.22"	6.22"	6.22"	6.22"	8.19"	8.19"	9.49"	9.49"

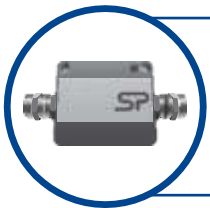
Distributed by Dillon/Quality Plus, Inc.
 214 E. Kansas Street, Liberty, MO. 64068
 800-493-2263 , 816-453-7600, Fax 816-453-7677, email: sales@dqplus.com

Compression Load Cell



Features and benefits:

- Compact size
- Environmentally sealed to IP67/NEMA6
- Optional analogue outputs
- Stainless steel element
- High accuracy
- Lightweight
- Unrivalled resolution
- Custom versions available
- Design validated by F.E.A.



Requires connection to Straightpoint's Handheld plus (HHP), Desktop Controller data logging software (DCP10M) or External Amplifier range (SA-3420) that can be configured to provide outputs such as 4-20mA, 0-10V, 0-5v for PLC or data logger integration.

Manufactured in ranges from 5t to 500t - other capacities available on application.

Straightpoint compression load cells are manufactured to the same stringent standards as all Straightpoint products. The bodies are machined from high grade stainless steel, offering excellent strength and anti-corrosion properties. Compression load cells can be supplied with optional loadcaps to protect objects being tested.

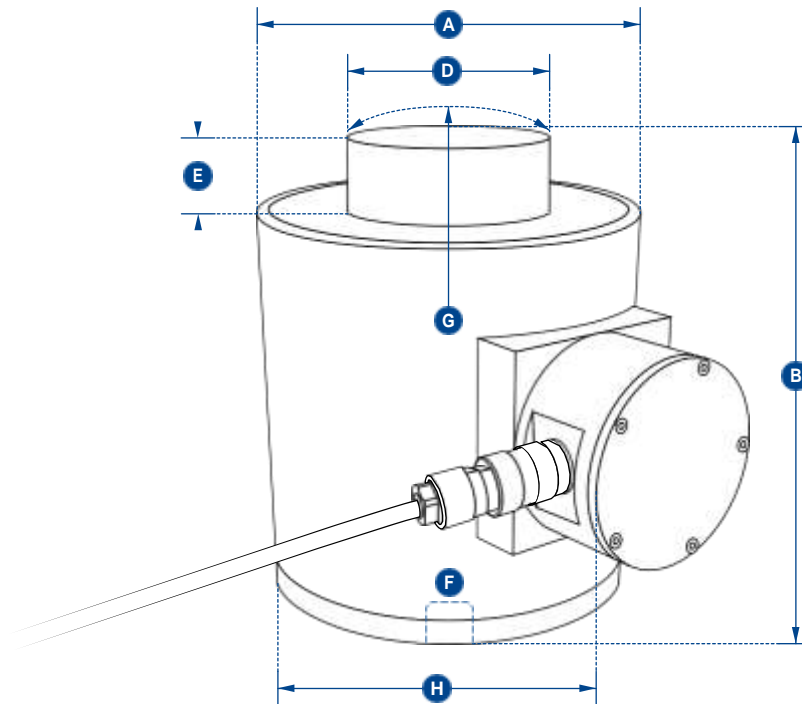
The compact lightweight design provides ease of use and superior portability, allowing Straightpoint compression load cells to be used in a broad range of industries including mining, energy, defence, heavy rigging, shipping, and general transportation sectors.

Utilising the same advanced microprocessor based electronics as all Straightpoint products, Straightpoint's compression load cells benefit from high sampling rates, extreme resistance to industrial level noise and unprecedented stability. This high stability gives this product over 5,000 divisions and the highest standard resolution of any high capacity compression load cell on the market today.

Like all Straightpoint products, Straightpoint compression load cells offer robust construction, advanced electronics, industry leading resolution and accuracy all at a cost-effective, affordable price.



making the lifting industry a safer place

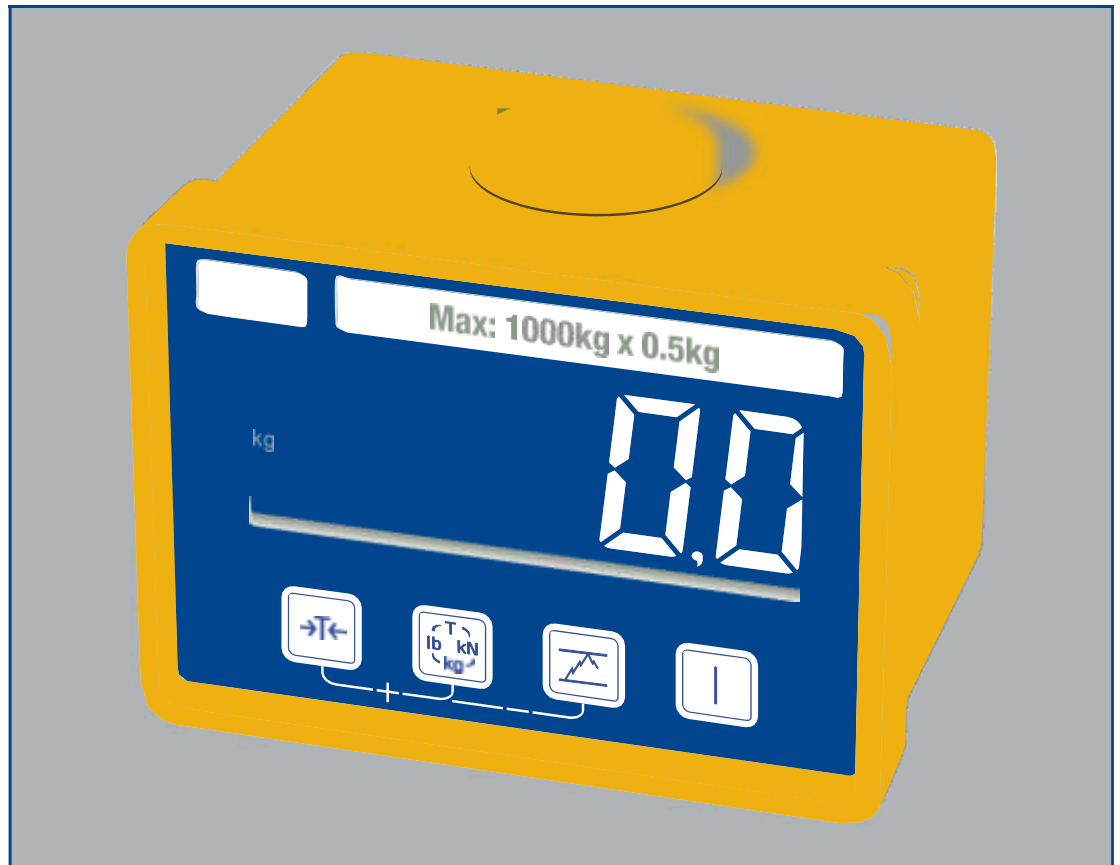


Part Number	NI5TC	NI10TC	NI25TC	NI50TC	NI100TC	NI150TC	NI300TC	NI500TC
Capacity	5te 11000lb	10te 22000lb	25te 55000lb	50te 110000lb	100te 220000lb	150te 330000lb	300te 660000lb	500te 1100000lb
Resolution	0.001te 2lb	0.002te 5lb	0.005te 10lb	0.01te 20lb	0.05te 100lb	0.05te 100lb	0.1te 200lb	0.2te 500lb
Units	tonne lb							
Weight	3.2kg 7lb	3.2kg 7lb	3.2kg 7lb	6.2kg 13.64lb	15.5kg 34lb	15.5kg 34lb	65kg 143lb	65kg 143lb
Safety Factor	3:1							
Operating Temp	-10°C to +50°C / 14°F to 122°F							
Accuracy	±0.3% of applied load							
Protection	IP67 / NEMA 6							
Dimension ØA	76 2.99"	76 2.99"	76 2.99"	102 4.02"	152 5.98"	152 5.98"	185 7.28"	185 7.28"
Dimension B	83 3.27"	83 3.27"	83 3.27"	127 5.00"	184 7.24"	184 7.24"	300 11.81"	300 11.81"
Dimension ØD	32 1.26"	32 1.26"	32 1.26"	59 2.32"	80 3.15"	80 3.15"	155 6.10"	155 6.10"
Dimension E	10 0.39"	10 0.39"	10 0.39"	13 0.51"	26 1.02"	26 1.02"	27.5 1.08"	27.5 1.08"
Dimension F	M12 x 1.75 M12 x 1.75	M12 x 1.75 M12 x 1.75	M12 x 1.75 M12 x 1.75	M20 x 2.5 M20 x 2.5	M20 x 2.5 M20 x 2.5	M20 x 2.5 M20 x 2.5	M20 x 2.5 M20 x 2.5	M20 x 2.5 M20 x 2.5
Dimension G	152 5.98"	152 5.98"	152 5.98"	152 5.98"	432 17.01"	432 17.01"	432 17.01"	432 17.01"
Dimension H	96 3.78"	96 3.78"	96 3.78"	154 6.06"	204 8.03"	204 8.03"	237 9.33"	237 9.33"

Distributed by Dillon/Quality Plus, Inc.
 214 E. Kansas Street, Liberty, MO. 64068
 800-493-2263 , 816-453-7600, Fax 816-453-7677, email: sales@dqplus.com



loadblock plus



The Loadblock plus is a low capacity, self-indicating compression load cell, used in many testing and load monitoring applications worldwide. The integral display eliminates the need for a separate display or cable assemble that can be easily damaged. Applications include the measurement of loads associated with the testing of hydraulic presses, cylinders or jacks.

This latest version of our Loadblock has advanced features and benefits providing solutions for today's complicated load test and force monitoring needs. Features include full function push button controls for tare, units of measure (lbs, kg, kN, and tonnes), peak hold, pre-set tare, audible set-point alarm and an overload counter.

This crucial overload alarm counter is a requirement for many safety and quality control departments, as it keeps track of overload events, allowing the load cell in question to be removed from service immediately, following a calibration voiding overload event. The load cell in question can then be sent out for proper testing and, if necessary, recalibration before re-entering service.

The advanced microprocessor based electronics provide the Loadblock plus with high speed read rates (500/sec), extreme resistance to industrial level noise and unprecedented stability.

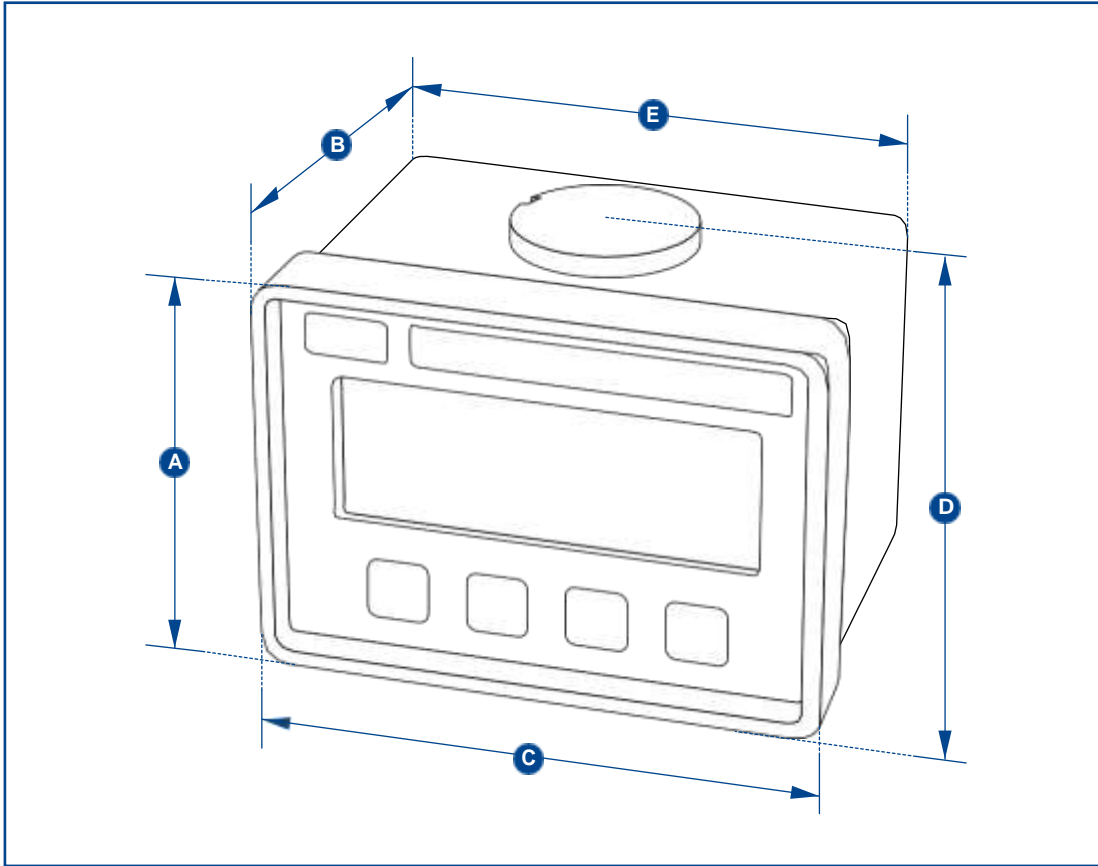
This high stability provides the Loadblock plus with 5,000 + divisions and the highest standard resolution of any self-indicating compression load cell on the market today.

The unit also features a RS-485 serial output port allowing for remote viewing with either the Handheld plus digital display/controller or Windows® PC desktop controller data logging software.

Features and benefits:

- Large LCD Display
- High resolution
- Peakhold
- Compact size
- Tare
- Preset tare
- Offset adjustment

imperial specifications



loadblock plus

Part Number	LBP250KGU	LBP500KGU	LBP1TU	LBP2TU	LBP5TU
Capacity	550lb	1100lb	2200lb	4400lb	11000lb
Resolution	0.2lb	0.5lb	1lb	2lb	2lb
Units	t, kg, kN and lbs				
Weight	2lb	2lb	2lb	3.3lb	6.8lb
Safety Factor	4:1	5:1	5:1	5:1	5:1
Battery Type	9v PP3				
Battery Life	80hrs continuous				
Operating Temp	-10°C to +50°C / 14° to 122°F				
Accuracy	± 0.3% of applied load				
Display Type	6 digit 1" LCD				
Protection	IP65 / NEMA 4X				
Dimension A	3.19	3.19	3.19	3.62	3.62
Dimension B	3.19	3.19	3.19	4.61	5.35
Dimension C	4.45	4.45	4.45	4.41	4.41
Dimension D	3.54	3.54	3.54	4.09	4.53
Dimension E	4.09	4.09	4.09	Not available on this capacity	