



# loadblock plus



The Loadblock plus is a low capacity, self-indicating compression load cell, used in many testing and load monitoring applications worldwide. The integral display eliminates the need for a separate display or cable assembly that can be easily damaged. Applications include the measurement of loads associated with the testing of hydraulic presses, cylinders or jacks.

This latest version of our Loadblock has advanced features and benefits providing solutions for today's complicated load test and force monitoring needs. Features include full function push button controls for tare, units of measure (lbs, kg, kN, and tonnes), peak hold, pre-set tare, audible set-point alarm and an overload counter.

This crucial overload alarm counter is a requirement for many safety and quality control departments, as it keeps track of overload events, allowing the load cell in question to be removed from service immediately, following a calibration voiding overload event. The load cell in question can then be sent out for proper testing and, if necessary, recalibration before re-entering service.

The advanced microprocessor based electronics provide the Loadblock plus with high speed read rates (500/sec), extreme resistance to industrial level noise and unprecedented stability.

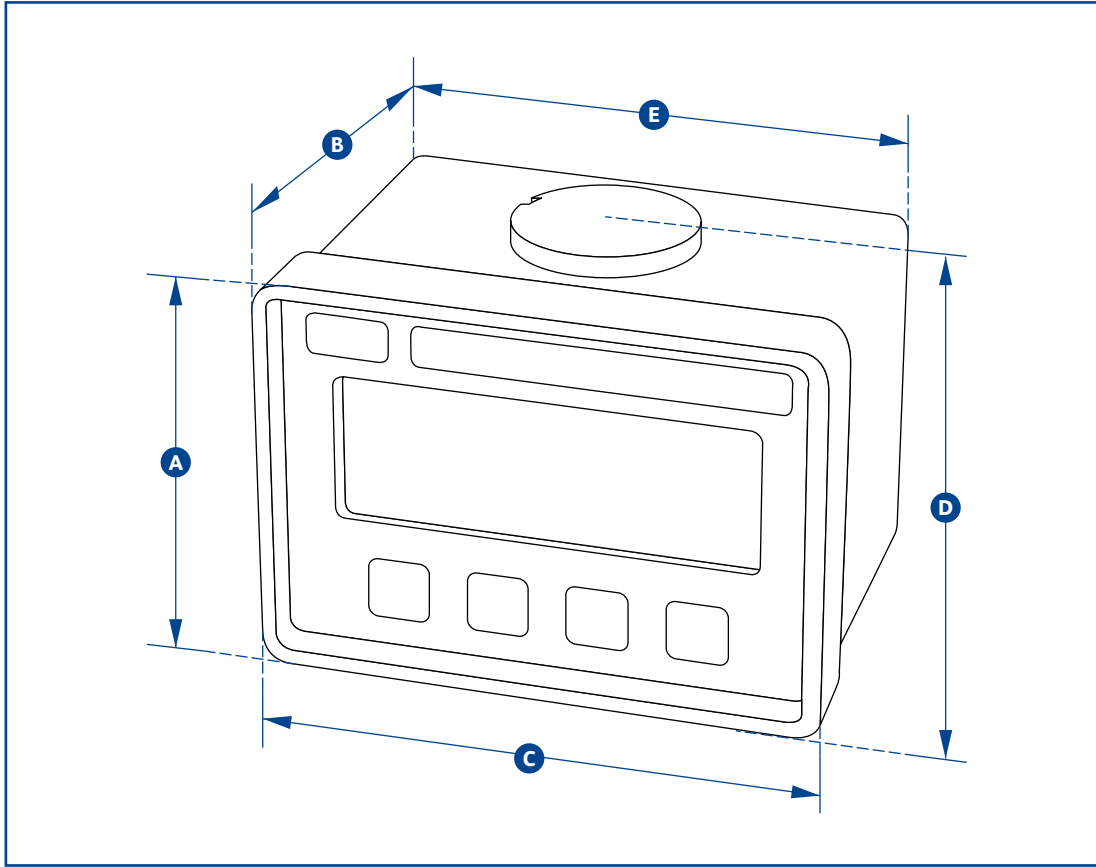
This high stability provides the Loadblock plus with 5,000 + divisions and the highest standard resolution of any self-indicating compression load cell on the market today.

The unit also features a RS-485 serial output port allowing for remote viewing with either the Handheld plus digital display/controller or Windows® PC desktop controller data logging software.

## Features and benefits:

- Large LCD Display
- High resolution
- Peak hold
- Compact size
- Tare
- Preset tare
- Offset adjustment

# imperial specifications



# loadblock plus

Part Number	LBP250KGU	LBP500KGU	LBP1TU	LBP2TU	LBP5TU
Capacity	550lb	1100lb	2200lb	4400lb	11000lb
Resolution	0.2lb	0.5lb	1lb	2lb	2lb
Units	t, kg, kN and lbs				
Weight	2lb	2lb	2lb	3.3lb	6.8lb
Safety Factor	4:1	5:1	5:1	5:1	5:1
Battery Type	9v PP3				
Battery Life	80hrs continuous				
Operating Temp	-10°C to +50°C / 14° to 122°F				
Accuracy	± 0.3% of applied load				
Display Type	6 digit 1" LCD				
Protection	IP65 / NEMA 4X				
Dimension A	3.19	3.19	3.19	3.62	3.62
Dimension B	3.19	3.19	3.19	4.61	5.35
Dimension C	4.45	4.45	4.45	4.41	4.41
Dimension D	3.54	3.54	3.54	4.09	4.53
Dimension E	4.09	4.09	4.09	Not available on this capacity	

