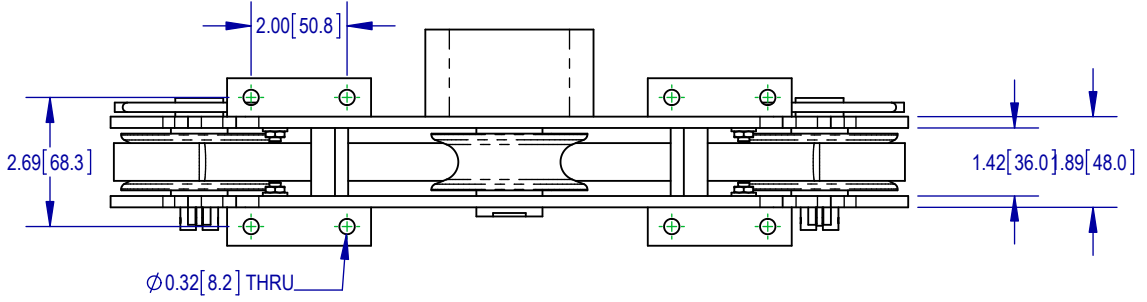
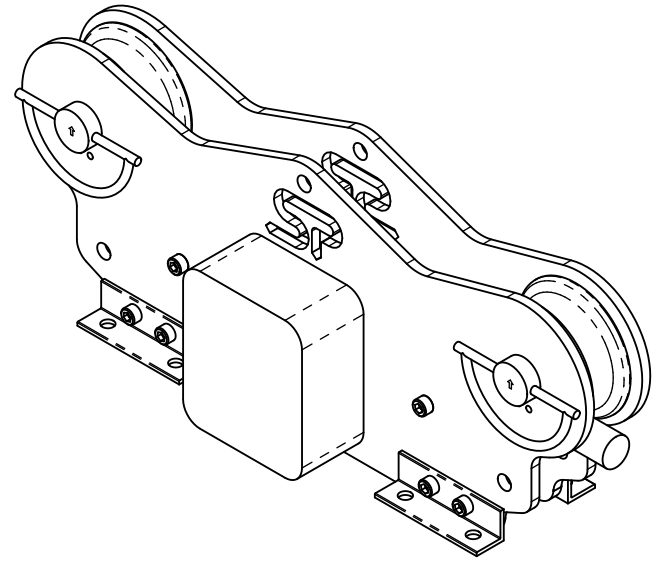
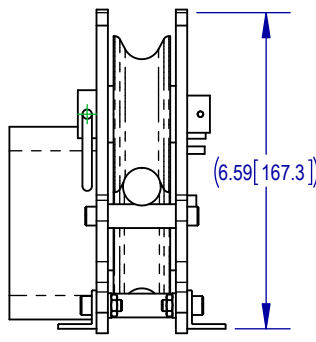
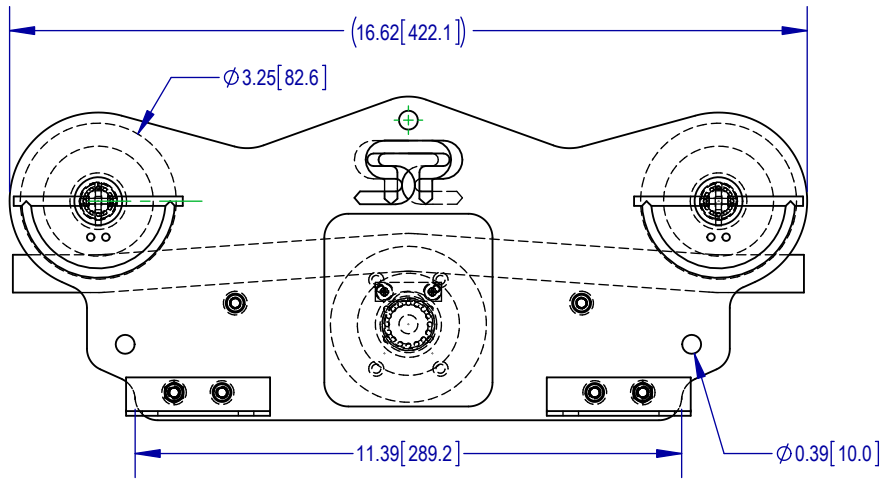


10 9 8 7 6 5 4 3 2 1

J  
I  
H  
G  
F  
E  
D  
C  
B  
A

	<b>OPTION</b>
	<b>TIMHM10T</b>
WIRE ROPE Ø mm	5 - 20mm
WIRE ROPE Ø inch	0.2 - 0.8"



NOTE:  
RECOMMENDED SHACKLE TYPE : CROSBY 3/8"

0	-	PRELIMINARY DRAWING	RCB	CPP	WPK	25/04/16
REV.	ECO#	DESCRIPTION	BY	CHK.	APP.	DATE
RECORD OF CHANGES						

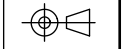


TITLE  
LR-(1-10)t-ASSEMBLY-DRAWING

DRN.	RCB
ENG.	RCB
CHK.	CPP
APP.	WPK

THIS PRINT IS FURNISHED WITH THE UNDERSTANDING THAT THE ESSENCE THEREOF WILL NOT BE REPRODUCED IN WHOLE OR IN PART WITHOUT WRITTEN AUTHORIZATION OF STRAIGHTPOINT. ALL DESIGNS ARE THE PROPERTY OF STRAIGHTPOINT AND WILL BE PROTECTED BY PATENTS.

MATERIAL SPECIFICATION  
XXX



FINISH DESCRIPTION  
XXX

REV.	SCALE
0	1:4

ALL DIMENSIONS : INCH (MM)  
DIMENSION TOLERANCES UNLESS SPECIFIED

PART NO. 204902  
PROJ. NO. PRJ-000157

SHEET SIZE	SHEET
A4	1/1

.X ±1  
.XX ±.02  
.XXX ±.005

ANGULAR ±1/8"

10 9 8 7 6 5 4