

MSI-4260 PORT-A-WEIGH

DIGITAL CRANE SCALE



COMPATIBLE WITH:



MSI-8000 HD RF Remote Display



MSI-8000 RF Remote Display



RF Remote Controller



MSI RF Scoreboard

RICE LAKE
WEIGHING SYSTEMS

To be the best by every measure®

MSI-4260 PORT-A-WEIGH

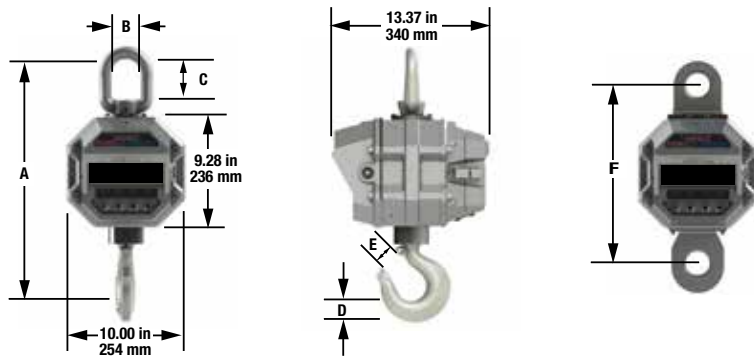
DIGITAL CRANE SCALE

Industry's original standard for accurate, reliable and safe overhead weighing.

After three decades of production, added advancements, and thousands of worldwide installations, the next generation Port-A-Weigh embedded with ScaleCore technology continues to reign as the industry standard. Along with Port-A-Weigh, the MSI product offering features the most comprehensive line of industrial crane scales and specialized overhead weighing solutions.

Options and Accessories

- NTEP Certified (contact factory for current USA and international approvals)
- RF remote controller (typical range 50 ft / 15 m)
- RF modem link for wireless connectivity with optional MSI-8000 RF Remote Display
- Universal direct power supply: 85-265VAC, 47-440 Hz/130-300VDC
- Heat shield for hot-metal and high temperature applications (contact factory for operating specifications)
- Substitute shackle for bottom swivel hook (for possible headroom loss reduction)
- Oversized top lifting eye or shackle (for oversized crane hook interface)
- 802.11 b/g wireless module
- Retrofit Kit: Upgrade previous MSI-4260 to new generation MSI-4260 with ScaleCore



Capacity	Resolution**	A*	B*	C*	D*	E*	F	Hook	Eye Nut or Shackle	Safety Factor	Shipping Wt
500lb 250kg	0.2lb 0.1kg	18.3in 465mm	2.25in 57.1mm	3.06in 77.7mm	1.44in 37.0mm	1.41in 36.0mm	-	5 ton alloy swivel	CR # 7 eye nut	>5 >5	53 lb 24 kg
2,000lb 1,000kg	1 lb 0.5 kg	18.3in 465mm	2.25in 57.1mm	3.06in 77.7mm	1.44in 37.0mm	1.41in 36.0mm	-	5 ton alloy swivel	CR # 7 eye nut	>5 >5	53 lb 24 kg
5,000lb 2,500kg	1 lb 0.5kg	20.5in 521mm	2.50in 64.0mm	3.50in 89.0mm	1.81in 46.0mm	1.69in 42.9mm	-	7 ton alloy swivel	CR # 8 eye nut	>5 >5	62 lb 28 kg
10,000lb 5,000kg	2lb 1kg	20.5in 521mm	2.50in 64.0mm	3.50in 89.0mm	1.81in 46.0mm	1.69in 42.9mm	-	7 ton alloy swivel	CR #8 eye nut	>5 >5	62 lb 28 kg
20,000lb 10,000kg	5lb 2kg	28.5in 724mm	4.00in 101.6mm	6.25in 159mm	2.62in 66.5mm	2.41in 61.2mm	-	15 ton alloy swivel	CR #11 eye nut	>7 >6.5	105 lb 47 kg
30,000lb 15,000kg	10lb 5kg	30.0in 762mm	4.00in 101.6mm	6.25in 159mm	3.00in 76.2mm	3.19in 81.0mm	-	22 ton alloy swivel	CR #11 eye nut	>5 >5	125 lb 55 kg
50,000lb 25,000kg	10lb 5kg	41.0in 1041mm	5.00in 127mm	6.00in 152mm	3.62in 92.0mm	3.63in 92.0mm	15.0in 381mm	30 ton alloy swivel	CR 25 ton shackle # 2130	>5 4.9***	235 lb 106 kg
70,000lb 35,000kg	20lb 10kg	43.2in 1097mm	5.00in 127mm	6.00in 152mm	4.56in 116mm	3.75in 95.0mm	15.0in 381mm	37 ton alloy swivel	CR40 ton alloy shackle # 2140	4.75**** 4.3****	270 lb 121 kg
100,000lb 50,000 kg	20lb 10kg	52.1in 1324mm	5.75in 146mm	6.65in 169mm	5.06in 129mm	4.25in 108mm	16.25in 413mm	45 ton alloy swivel	CR 55 ton alloy shackle # 2140	4.5***** 4*****	420 lb 189 kg
								60 ton alloy swivel	CR 55 ton alloy shackle # 2140	5 4.5	510 lb 231 kg
								75 ton alloy swivel	CR 55 ton alloy shackle # 2140	5 4.5	630 lb 286 kg

CR = Crosby or equivalent. (Crosby is a registered trademark of The Crosby Group, LLC.)

** These dimensions also apply to 50/70/100,000lb models with hook and shackle

** Resolution subject to change for NTEP Certified units

*** Ultimate overload: 490% of kg capacity

**** Ultimate overload: 475% of lb capacity / 430% of kg capacity

***** Ultimate overload: 450% of kg capacity

Alternate Hooks for 100,000 lb

Specifications

- Accuracy:** ± (0.1% +1 d) of applied load
Resolution: 3000 to 5000 d standard (up to 10,000 d available)
Enclosure: NEMA 4, IP66 marine grade 356 alloy anodized cast aluminum
Lifting Eye, Shackle & Hook: Crosby® or equal with 360° thrust-bearing swivel hook
Design Overload: 200% safe / 500% ultimate (except as noted)
Functions: Power: Turns Unit ON or OFF.
 Zero: Zeros applied load up to 100% of capacity (limited range in NTEP/OIML configurations).
 Tare: Tares applied load and displays weight in net mode.
 F1: Programmable as TEST, UNITS, NET/GROSS, TOTAL & PEAK HOLD.
Display: Five-digit, 1.2 in (30 mm) LED with programmable brightness control
Displayable Units: Pounds or kilograms selectable
Annunciators: CO2, net, gross, total, peak, low battery, lb/kg, motion, setpoints
Power: 12 volt rechargeable battery
 115/230VAC battery charger is included
Operating Time: Up to 200 hours between charging with typical use.
 Less with optional RF modem link
Operating Temperature: 5°F to 122°F (-15°C to 50°C)
Auto-Off Mode: Select for 15, 30, 45 minutes, 1 hour or off
Auto Sleep Mode: Power down during non-use and power up with weight change or any key press
Service Counters: Counts number of lifts over percentage of capacity and lifts over capacity
Calibration: Digital
Filtering: OFF, LO, HI-1, HI-2 selectable

MSI-8000 RF Remote Display Specifications

- Functions:** On/off, zero, tare, peak hold, units, total, high resolution, net/gross, print, test
Display: Five-digit, 1.22 in (31 mm) LCD
Power: Rechargeable lithium polymer battery
 24 hours operating time between charging in typical use
 115/230VAC battery charger is included
RF Frequency: 2.4 GHz - 802.15.4 operating range 100 ft (30 m) typical
Enclosure: Industrial grade NEMA 4/IP65
Output: Serial RS-232



Your Rice Lake Weighing Systems distributor is:

RICE LAKE
WEIGHING SYSTEMS®

To be the best by every measure®

**Dillon/Quality Plus, Inc. 214 E Kansas St. Ste 101
 Liberty, MO. 64068 Ph# 800-493-2263 -
 www.dqplus.com**

An ISO 9001 registered company © 2014 Rice Lake Weighing Systems PN 151212 10/14
 Specifications subject to change without notice.