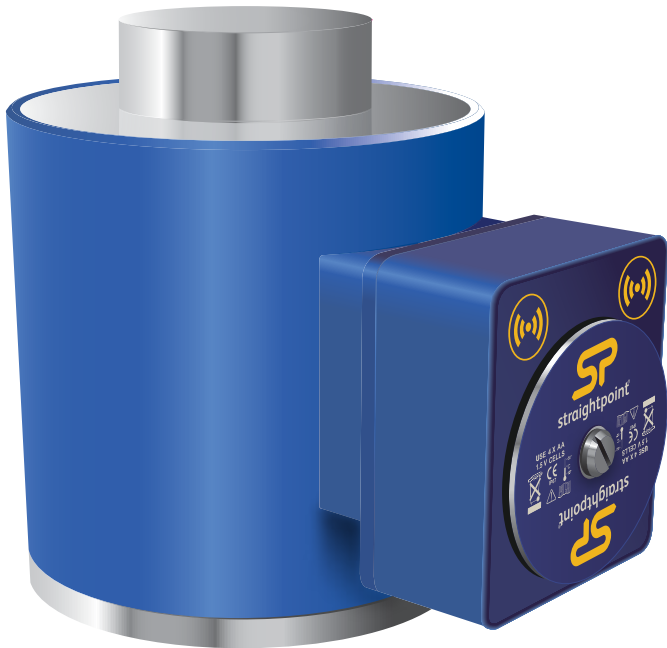


Wireless Compression Load Cell



Features and benefits:

- Proprietary 2.4 GHz wireless
- Industry leading wireless range of 700m/2300ft
- Connects to SW-MWLC, WCOGS & SW-PTP software
- Error free data transmission
- Internal antennae
- Environmentally sealed to IP67/NEMA 6
- No cable assemblies required
- Unrivalled resolution
- Unmatched battery life of 1200hrs
- Reduced maintenance cost
- Compact size
- Remote on-off
- Design validated by F.E.A.

The Straightpoint Wireless Compression Load Cell is taking the heavy lift and structural weighing industry by storm. By adding the Straightpoint wireless system to the already popular compression load cell line we have developed a cost-effective alternative to standard compression load cells.

No longer hindered by troublesome and hard to maintain cables, large scale projects can be completed in a fraction of time previously required. Maintenance costs are all but eliminated due to the absence of cables and connectors, and the products flexibility opens the door to a large number of applications in the heavy lift, energy, defence, rigging, shipping, and general transportation sectors, previously not considered.

Straightpoint's Wireless Compression Load Cells are machined from high grade stainless steel, providing excellent strength and corrosion resistance. The heavy duty, compact load cell utilises Straightpoint's advanced microprocessor based electronics and benefits from unrivalled resolution and accuracy. Data transmission is handled by the Straightpoint wireless systems proprietary transport protocol, is unmatched in performance and capable of a licence free transmission range of up to 700 metres or 2300 feet.

It is not until you add the powerful array of wireless accessories that the full potential of this product is realised. These accessories which include a wireless signal booster and several user friendly Windows-based software packages, provide a level of flexibility not previously known in the load monitoring industry.

When used with Straightpoint's WCOGS software these load cells will calculate centre of gravity and load. Connected to SW-MWLC it will allow the ability to data log and print reports, allowing the simultaneous display and monitoring of up to 100 wireless compression load cells on your PC or tablet. Lastly, coupled with Straightpoint's SW-PTP software the operator can perform load tests at a safe distance and generate real time test certificates on site.



making the lifting industry a safer place

Also available with hazardous area approval



ATEX / IECEX
Ex ia II C T4 Ga

Certification numbers:

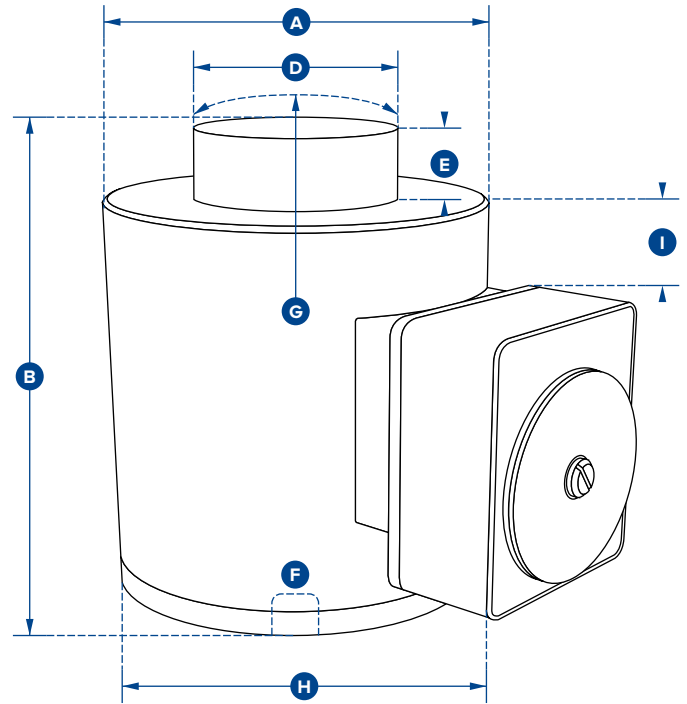
WNI ATEX

IECEX SIR 16.0041X / Sira 16ATEX2108X

SW-HHP ATEX

IECEX SIR 15.0072X / Sira 15ATEX2196X

Add 'ATEX' to the part number when ordering ATEX/IECEX products. For example: WNI5TC-ATEX



Part Number	WNI5TC	WNI10TC	WNI25TC	WNI50TC	WNI100TC	WNI150TC	WNI300TC	WNI500TC
Capacity	5te	10te	25te	50te	100te	150te	300te	500te
	11000lb	22000lb	55000lb	110000lb	220000lb	330000	660000lb	1100000lb
Resolution	0.001te	0.002te	0.005te	0.01te	0.05te	0.05te	0.1te	0.2te
	2lb	5lb	10lb	20lb	100lb	100lb	200lb	500lb
Units	tonne							
	lb							
Weight	6.2kg	6.2kg	6.2kg	6.2kg	15.5kg	15.5kg	65kg	65kg
	13.64lb	13.64lb	13.64lb	13.64lb	34lb	34lb	143lb	143lb
Safety Factor	3:1							
Battery Type	Load cell 4 x AA Alkaline							
Battery Life	Load cell 1,200 hours continuous							
Operating Temp	-10°C to +50°C / 14°F to 122°F							
Accuracy	±0.3% of applied load							
Frequency	2.4 GHz							
System Range	700 metres / 2300 feet							
Data Rate	3Hz (configurable to 200Hz)							
Protection	IP67 / NEMA 6							
Dimension ØA	102	102	102	102	152	152	185	185
	4.02"	4.02"	4.02"	4.02"	5.98"	5.98"	7.28"	7.28"
Dimension B	127	127	127	127	184	184	300	300
	5.00"	5.00"	5.00"	5.00"	7.24"	7.24"	11.81"	11.81"
Dimension ØD	59	59	59	59	80	80	155	155
	2.32"	2.32"	2.32"	2.32"	3.15"	3.15"	6.10"	6.10"
Dimension E	13	13	13	13	26	26	27.5	27.5
	0.51"	0.51"	0.51"	0.51"	1.02"	1.02"	1.08"	1.08"
Dimension F	M18 x 2.5	M18 x 2.5	M18 x 2.5	M20 x 2.5	M20 x 2.5	M20 x 2.5	M20 x 2.5	M20 x 2.5
	M18 x 2.5	M18 x 2.5	M18 x 2.5	M20 x 2.5	M20 x 2.5	M20 x 2.5	M20 x 2.5	M20 x 2.5
Dimension G	152	152	152	152	432	432	432	432
	5.98"	5.98"	5.98"	5.98"	17.01"	17.01"	17.01"	17.01"
Dimension H	158	158	158	158	208	208	241	241
	6.22"	6.22"	6.22"	6.22"	8.19"	8.19"	9.49"	9.49"
Dimension I	8	8	8	8	33	33	49	49
	0.31"	0.31"	0.31"	0.31"	1.30"	1.30"	1.93"	1.93"