

# Wireless Low Headroom Link



## Features and benefits:

- Low headroom
- Range from 1t to 30t
- Lightweight and portable
- Accepts standard shackles
- Constructed from high strength alloy steel
- Proprietary 2.4 GHz wireless
- Industry leading wireless range of 700m or 2300ft
- Error free data transmission
- Environmentally sealed to IP67 or NEMA 6
- 90db Audible overload alarm
- Unmatched battery life of 1200 hours
- Internal antennae
- Remote on-off

**Now available as a wireless product the Straightpoint range of Low Headroom Links are designed to provide accurate measurement of loads in the most challenging applications where headroom restrictions are a major factor.**

Constructed from high strength alloy steel and exposed to an array of testing during development, this impressive range of load cells is designed to work with industry standard shackles from manufacturers such as Crosby and Van Beest. Applications include weighing, lifting, force measurement and load monitoring of structures such as lighting trusses, hoist mountings and fly line tensioning.

The unique low headroom design combines the ability to lift loads with capacities up to 30t and features industry leading wireless technology and range of 700m or 2300ft.

The versatile WDB is supplied with an update rate of 3 Hz and can be easily configured to run at industry leading speeds of up to 200 Hz.

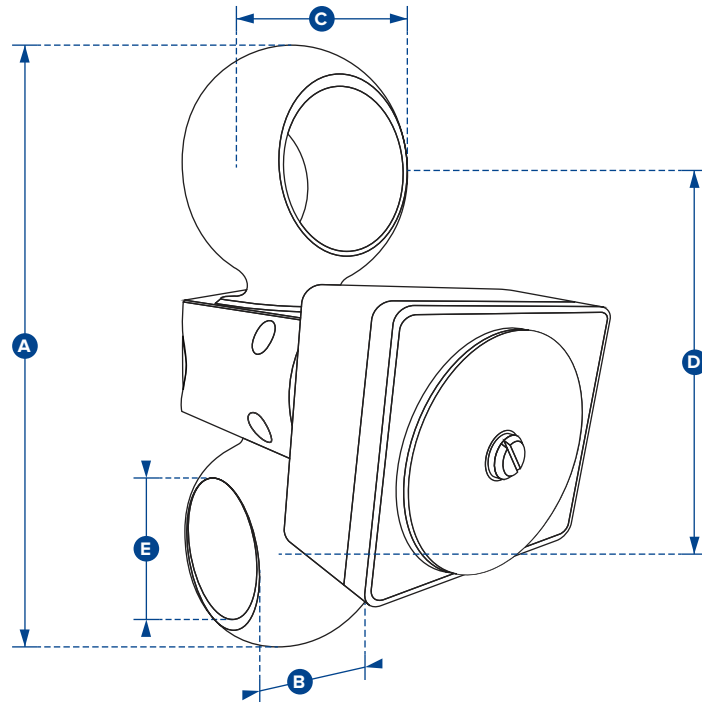
Data is transmitted wirelessly utilising the latest in IEEE 802.15.4 (2.4 GHz) technology providing safe, high integrity, error free transmission of both static weight and dynamic loads to Straightpoint's SW-HHP wireless handheld display or up to 100 WDB load cells may be connected to our SW-MWLC multi load cell data logging software.

Environmentally sealed in an aerospace aluminium enclosure and sealed to IP67 or NEMA 6 the WDB utilises easily sourced AA alkaline batteries and features advanced circuitry designed to protect the unit from damage associated with incorrectly installed batteries.

This advanced circuitry extends battery life and the use of easily sourced alkaline batteries eliminates issues associated with rechargeable battery pack charging, failure and replacement.



**making the lifting industry a safer place**



Part Number	WDB1T	WDB3T	WDB5T	WDB10T	WDB20T	WDB30T
Capacity	1000kg	3te	5te	10te	20te	30te
	2200lb	6600lb	11000lb	22000lb	44000lb	66000lb
Resolution	0.5kg	0.001te	0.001te	0.002te	0.005te	0.005te
	1lb	2lb	2lb	4lb	10lb	10lb
Units	tonne					
	lb					
Weight	1kg	1.2kg	2kg	2.5kg	4kg	6.2kg
	2.2lb	2.6lb	4.4lb	5.5lb	8.8lb	13.7lb
Safety Factor	5:1					
Battery Type	Load cell 4 x AA Alkaline					
Battery Life	Load cell 1,200 hours continuous					
Operating Temp	-10°C to +50°C / 14°F to 122°F					
Accuracy	± 0.3% of applied load					
Frequency	2.4 GHz					
Range	700 metres / 2300 feet					
Data Rate	3Hz up to 200Hz					
Protection	IP65 / NEMA 4X					
Dimension A	110	129	165	205	249	248
	4.33"	5.08"	6.50"	8.07"	9.80"	9.76"
Dimension B	18	25	33	41	66	58
	0.71"	0.98"	1.30"	1.61"	2.60"	2.28"
Dimension C	33	35	50	63	90	87
	1.30"	1.38"	1.97"	2.48"	3.54"	3.43"
Dimension D	74	88	111	135	153	150
	2.91"	3.46"	4.37"	5.31"	6.02"	5.91"
Dimension ØE	18	21	27	37	53	44
	0.71"	0.83"	1.06"	1.46"	2.09"	1.73"
Crosby Shackle	G2130-2T	G2130-3.25T	G2130-6.5T	G2130-12T	G2130-25T	G2140-30T