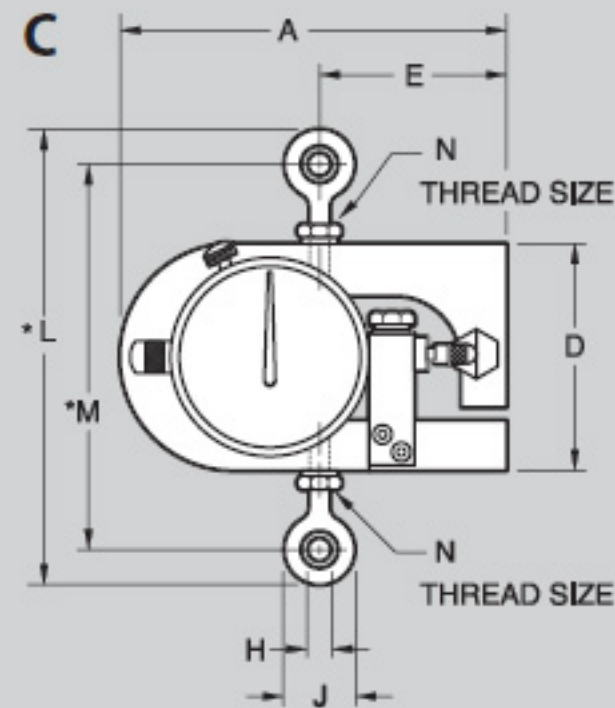
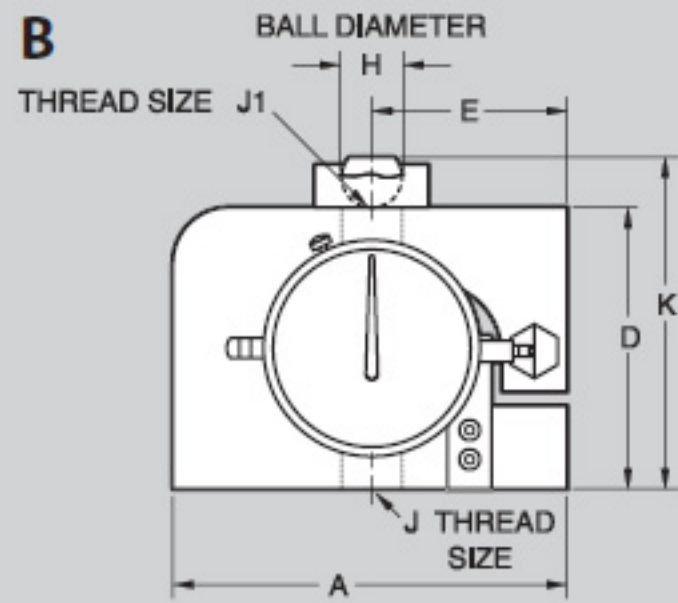
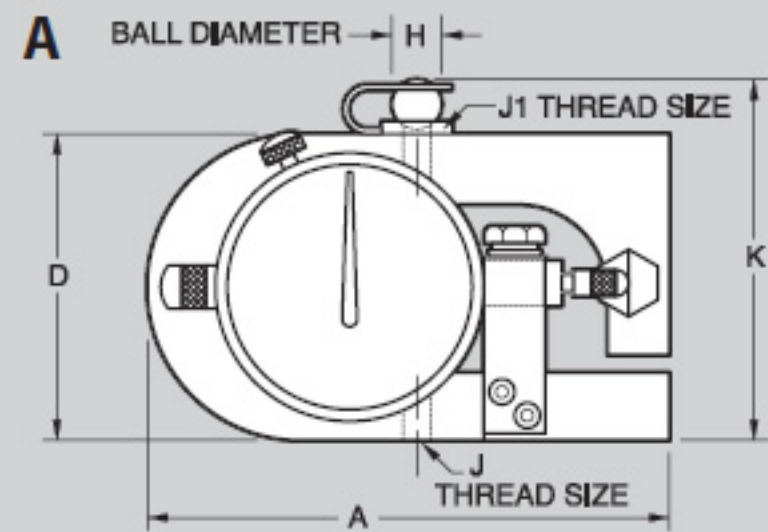
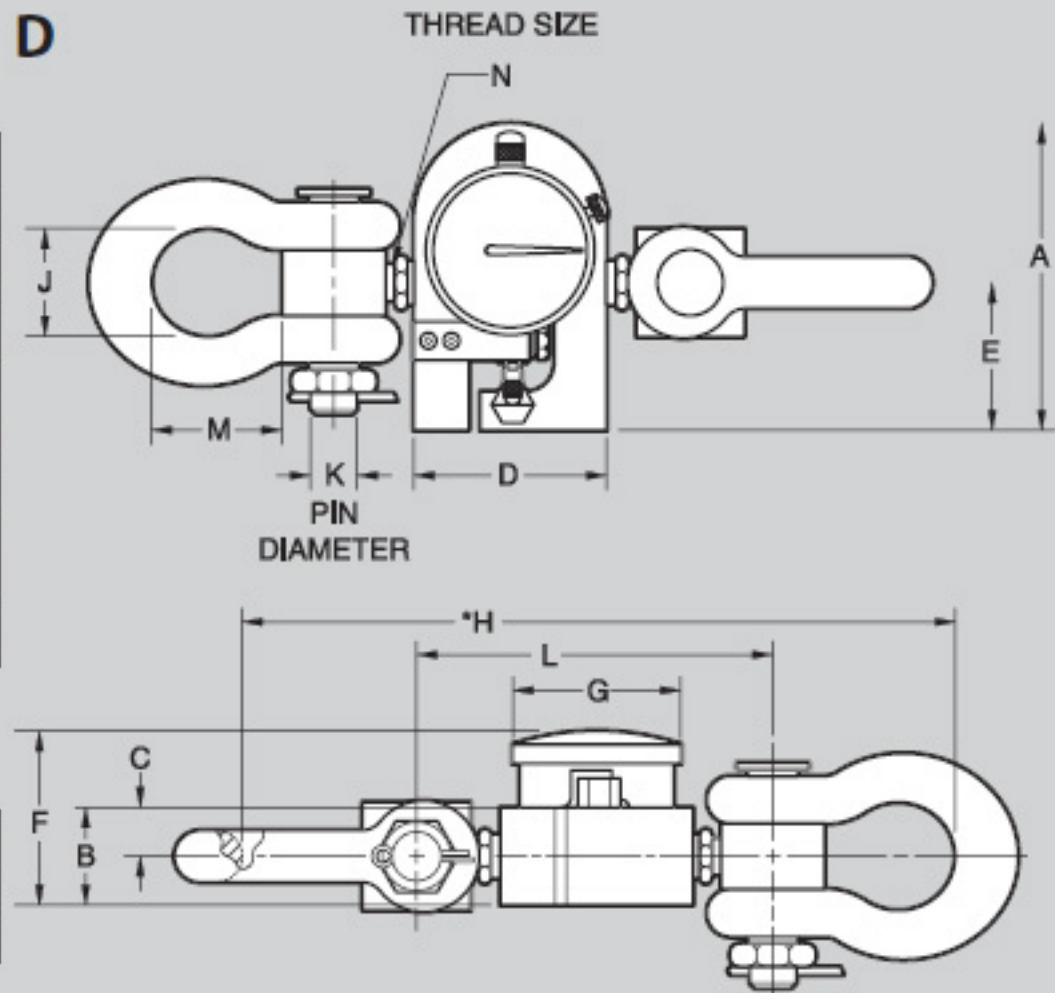
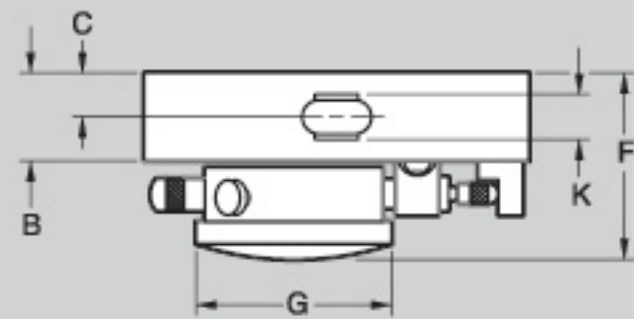


Mechanical X Force Gauge



Top View of Drawings A,B,C



G	H	J	K	L	M	N
In (mm)	In (mm)	In (mm)	In (mm)	In (mm)	In (mm)	In (mm)
2.25 (57.1)	0.25 (6.3)	0.75 (19.0)	0.38 (9.6)	5.00	4.25 (107.9)	1/4-28
2.25 (57.1)	0.25 (6.3)	0.75 (19.0)	0.38 (9.6)	5.00	4.25 (107.9)	1/4-28
2.25 (57.1)	0.25 (6.3)	0.75 (19.0)	0.38 (9.6)	5.00	4.25 (107.9)	1/4-28
2.25 (57.1)	0.25 (6.3)	0.75 (19.0)	0.38 (9.6)	5.00	4.25 (107.9)	1/4-28
2.25 (57.1)	0.50 (12.7)	1.31 (33.2)	0.62 (15.7)	6.94	5.62 (155.3)	1/2-20
2.75 (69.8)	0.50 (12.7)	1.31 (33.2)	0.62 (15.7)	7.44	6.12 (155.3)	1/2-20

2.75 (69.8)	10.94 (277.7)	1.69 (42.9)	0.75 (19.0)	5.44	1.94 (138.1)	1/2-20
3.62 (91.9)	12.69 (322.1)	1.69 (42.9)	0.75 (19.0)	7.19	1.94 (182.5)	7/8-1/4