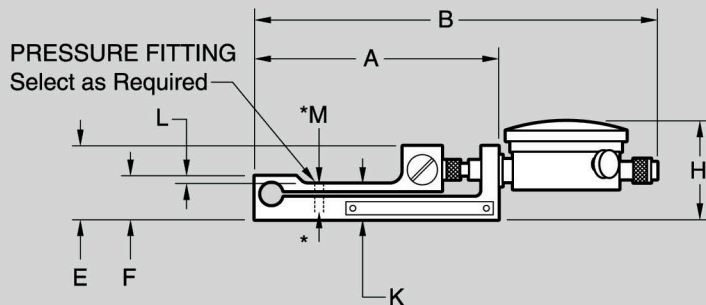
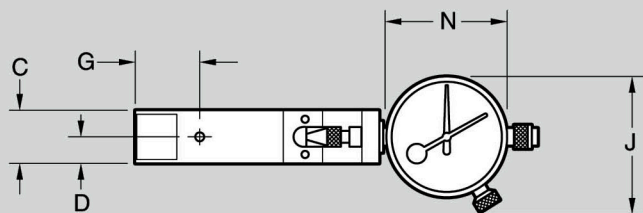


## Low-Range Flat-Bottom Model U Force Gauge

Part Number	Pounds	Part Number	Kilograms	A in (mm)	B in (mm)	C in (mm)	D in (mm)	E in (mm)	F in (mm)	G in (mm)	H in (mm)	J in (mm)	K in (mm)	L in (mm)	M in (mm)
30354-0017	25 x 0.25	30354-0066	10 x 0.1	3.28 (83.3)	5.50 (139.6)	0.73 (18.5)	0.36 (9.1)	0.97 (24.6)	0.56 (14.2)	0.90 (22.8)	1.40 (35.5)	1.87 (47.5)	0.46 (11.7)	0.094 (2.4)	1.67 (42.4)
30354-0033	100 x 1	30354-0082	50 x 0.5	3.28 (83.3)	5.50 (139.6)	0.73 (18.5)	0.36 (9.1)	0.97 (24.6)	0.56 (14.2)	0.90 (22.8)	1.40 (35.5)	1.87 (47.5)	0.46 (11.7)	0.094 (2.4)	1.67 (42.4)
30354-0058	250 x 2.5	30354-0090	100 x 1	3.28 (83.3)	5.50 (139.6)	0.73 (18.5)	0.36 (9.1)	0.97 (24.6)	0.56 (14.2)	0.90 (22.8)	1.40 (35.5)	1.87 (47.5)	0.46 (11.7)	0.094 (2.4)	1.67 (42.4)



## High-Range Flat-Bottom Model U Force Gauge

Part Number	Pounds	Part Number	Kilograms	A in (mm)	B in (mm)	C in (mm)	D in (mm)	E in (mm)	F in (mm)	G in (mm)	H in (mm)	J in (mm)	N in (mm)
30482-0020	500 x 5	-	-	3.87 (98.0)	6.75 (171.3)	0.98 (24.9)	0.49 (12.4)	1.25 (31.5)	0.92 (23.6)	1.52 (38.6)	1.67 (42.4)	2.44 (63.5)	2.25 (57.2)
30482-0053	1,000 x 10	30482-0079	500 x 5	3.87 (98.0)	6.75 (171.3)	0.98 (24.9)	0.49 (12.4)	1.25 (31.5)	0.92 (23.6)	1.52 (38.6)	1.67 (42.4)	2.44 (63.5)	2.25 (57.2)
30478-0034	5,000 x 50	-	-	4.74 (120.1)	7.94 (201.5)	0.98 (24.9)	0.49 (12.4)	1.72 (43.7)	1.41 (35.5)	2.06 (52.3)	2.06 (52.3)	2.88 (72.8)	2.75 (69.9)

