

# RL101 Scale

COMPACT DIGITAL BELOW-THE-HOOK SCALE



WEIGHING SYSTEMS

# RL101 Scale

COMPACT DIGITAL BELOW-THE-HOOK SCALE

## Compact Digital Below-the-hook Scale

The easy-to-use RL101 below-the-hook (BTH) digital scale is ideal for overhead weighing in industrial environments. This reliable BTH scale is fitted with an infrared remote control which can be configured as a remote keypad. The infrared remote control can be used at a distance up to 25 feet.

This compact BTH scale reduces the lifting distance for increased safety. Manufactured in strict compliance with the highest safety standards, the RL101 scale continues to sustain a 5:1 Ultimate Safety Factor.

Ensuring operators can view weight in any lighting condition, the RL101 has a vibrant, LCD backlit display. A five-key waterproof keypad allows for easy zero, tare, mode, print and on/off controls. The RL101 comes in a sturdy transport case for extra protection.

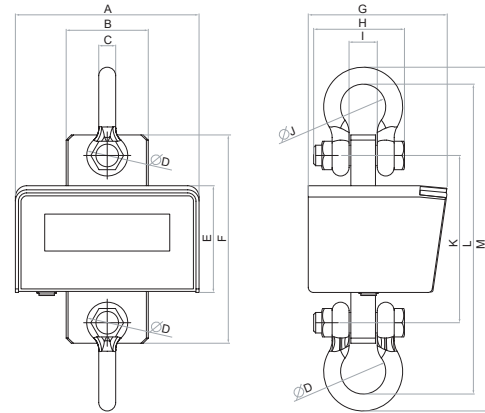


### STANDARD FEATURES

- Low headroom (14.5 in - 16.65 in)
- Infrared remote control (up to 25 ft)
- Carrying case
- Single and multi-point calibration
- Upper and lower shackles
- Lift and weigh\*

### SPECIFICATIONS

<b>ACCURACY:</b>	+/- 0.03% of capacity
<b>RESOLUTION:</b>	3,000d standard
<b>MULTI-RANGE:</b>	0-600 × 0.2 lb; 601-1500 × 0.5 lb; 1501-3000 × 1 lb 0-1500 × 0.5 lb; 1501-3000 × 1 lb; 3002-6000 × 2 lb 0-3000 × 1 lb, 3002-6000 × 2 lb, 6005-12,000 × 5 lb
<b>ENCLOSURE:</b>	IP54, oven-fired painted steel
<b>SHACKLES:</b>	Forged, alloy steel (6:1 safety factor)
<b>DESIGN OVERLOAD:</b>	150% Safe / 500% Ultimate
<b>FUNCTIONS:</b>	5-Key - Zero, Tare, Mode, Print, On/OFF
<b>DISPLAY:</b>	1 in (25 mm) backlight, LCD
<b>DISPLAYABLE UNITS:</b>	Pounds and kilograms, selectable
<b>ANNUNCIATORS:</b>	CO2, Net, Gross, Low Batt, lb/kg/t, Motion, Active Weight Range, Tare
<b>POWER:</b>	4 "AA" batteries (supplied)
<b>OPERATING TIME:</b>	Up to 40 hours, standard configuration
<b>TEMPERATURE RANGE:</b>	Operating: 14° F to 104° F (-10° C to 40° C)
<b>AUTO-OFF MODE:</b>	Off, 1-minute intervals (programmable)
<b>FILTERING:</b>	Various: Overhead weighing-dYn.0, dYn.1, dYn.2, dYn.3
<b>WARRANTY:</b>	One-year limited



**DIMENSION TABLE**

	A	B	C	D	E	F	G	H	I	J	K	L	M
3k	7.09 in (180 mm)	3.15 in (80 mm)	0.63 in (16 mm)	1.58 in (40 mm)	4.10 in (104 mm)	9.67 in (246 mm)	5.35 in (136 mm)	3.48 in (88.5 mm)	1.07 in (27 mm)	1.70 in (43 mm)	7.72 in (196 mm)	13.19 in (335 mm)	14.49 in (368 mm)
6k	7.09 in (180 mm)	3.15 in (80 mm)	0.87 in (22 mm)	2.17 in (55 mm)	4.10 in (104 mm)	9.67 in (246 mm)	5.35 in (136 mm)	4.76 in (121 mm)	1.46 in (37 mm)	2.28 in (58 mm)	7.32 in (186 mm)	14.92 in (379 mm)	16.65 in (423 mm)
12K	7.09 in (180 mm)	3.15 in (80 mm)	0.87 in (22 mm)	2.17 in (55 mm)	4.10 in (104 mm)	9.67 in (246 mm)	5.35 in (136 mm)	4.76 in (121 mm)	1.46 in (37 mm)	2.28 in (58 mm)	7.32 in (186 mm)	14.92 in (379 mm)	16.65 in (423 mm)

\* Please reference Overhead Weighing Safety Guide for lift and weigh feature.

SALES AND TECHNICAL ASSISTANCE

Dillon/Quality Plus, Inc. 214 E. Kansas St. Ste 101 Liberty, MO. 64068 ph# 816-453-7600 Toll Free 800-493-2263 X-130

[www.dqplus.com](http://www.dqplus.com)