

### 3.0 Technical Drawings

#### 3.1 Dimensional Drawings

##### 3.1.1 RL101-3k

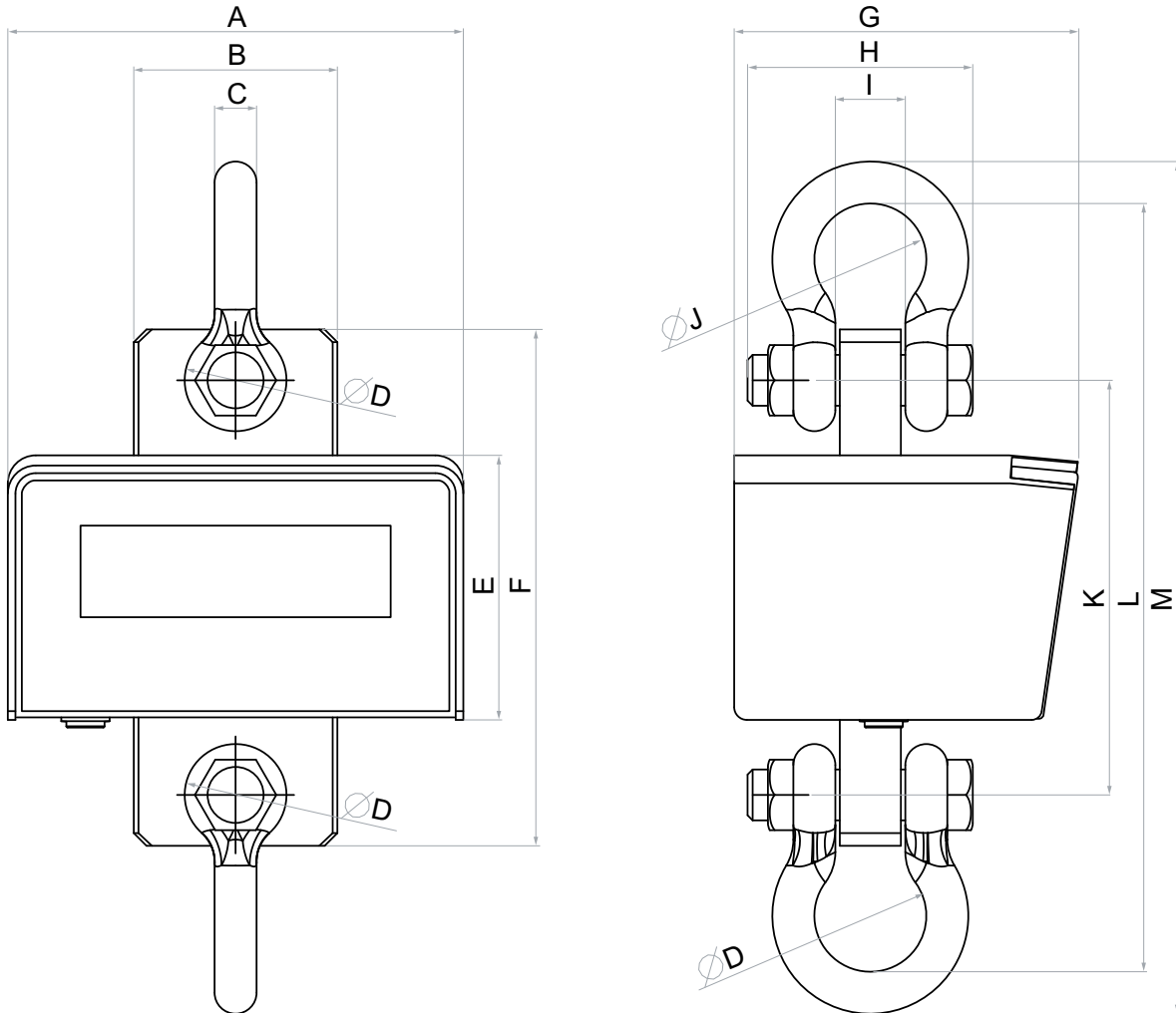


Figure 3-1. RL101-3K Dimensions

Item	Distance
A	7.09 in (180 mm)
B	3.15 in (80 mm)
C	0.63 in (16 mm)
D	1.58 in (40 mm)
E	4.10 in (104 mm)
F	9.67 in (246 mm)

Item	Distance
G	5.35 in (136 mm)
H	3.48 in (88.5 mm)
I	1.07 in (27 mm)
J	1.70 in (43 mm)
K	7.72 in (196 mm)
L	13.19 in (335 mm)
M	14.49 in (368 mm)

Table 3-1. RL101-3K Dimensions

3.1.2 RL101-6k and RL101-12k

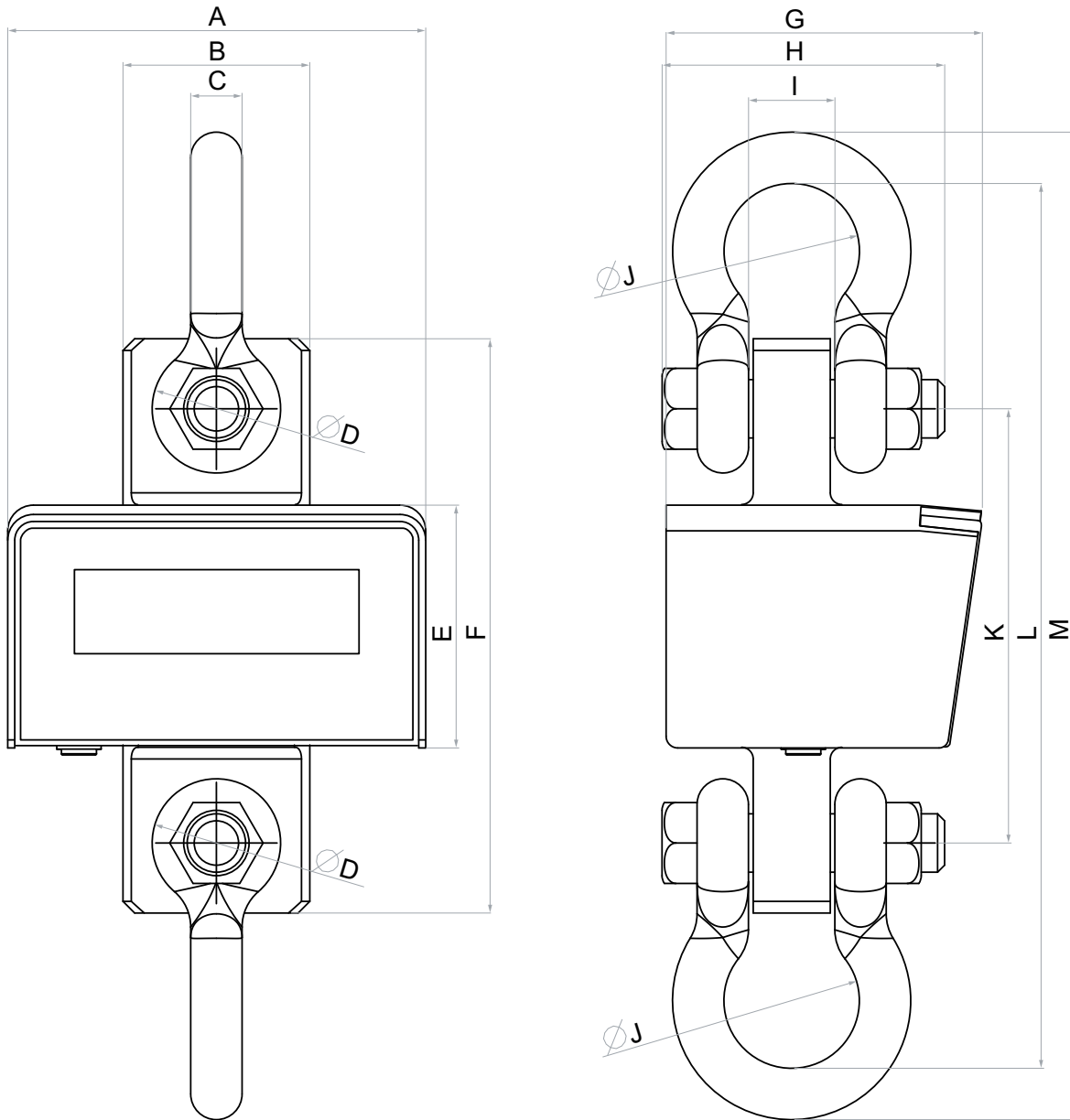


Figure 3-2. RL101-6k/RL101-12k Dimensions

Item	Distance
A	7.09 in (180 mm)
B	3.15 in (80 mm)
C	0.87 in (22 mm)
D	2.17 in (55 mm)
E	4.10 in (104 mm)
F	9.67 in (246 mm)

Item	Distance
G	5.35 in (136 mm)
H	4.76 in (121 mm)
I	1.46 in (37 mm)
J	2.28 in (58 mm)
K	7.32 in (186 mm)
L	14.92 in (379 mm)
M	16.65 in (423 mm)

Table 3-2. RL101-6k/RL101-12k Dimensions